

SLAT CONVEYOR CHAINS

Energy-efficient
double-strand chain



Automotive





Exploded-view drawing of an external support roller on ball bearing.

Ideal movement for assembly

CHAIN JOINT

- » High-quality slide bearings
- » Maintenance free
- » No contamination by lubricants
- » Optimized heavy duty pin
- » Coated components ensure long-term corrosion protection

CENTRE DISTANCE

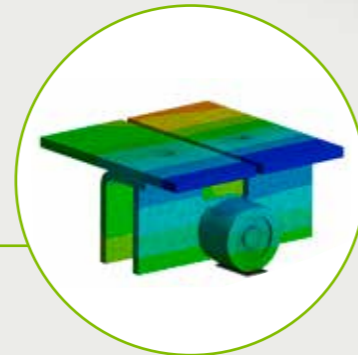
- » Implementation for centre distances of up to 200 meters

LINK PLATES

- Angled link plate and support link plate:
- » Design reduces internal stresses
 - » Possibility to implement high wheel loads

FEM-BASED DESIGN

- » Dimensioning of the chain via finite element method (FEM) and MDesign



LATERAL GUIDE ROLLER

- » Bolt-on assembly
- » Easy to mount and dismount
- » Two ball bearings per roller
- » Low friction coefficient ensures smooth running
- » Running surface with spherical tread ensures that force is applied at the centre
- » Spacing can be selected at variable distances

SUPPORT ROLLER ON BALL BEARING

- » Two ball bearings per roller – maintenance free
- » Low friction coefficient ensures smooth running
- » Running surface with spherical tread ensures that force is applied at the centre
- » Easy to mount and dismount

KettenWulf Betriebs GmbH
Zum Hohenstein 15
D-59889 Eslohe-Kückelheim
Germany
T + 49.(0) 2973.801 0
F + 49.(0) 2973.801 228
service@kettenwulf.com



Designed & manufactured by KettenWulf

The brand KettenWulf is known around the world for their high-quality products. Our success is based on the very high level of vertical integration of our production and on our product design. Customized functionality, the pursuit of perfection, the right instinct for shapes and materials which are ideally suited for their particular environment and ambient conditions.

Competence, experience, efficiency and a high level of commitment are the basis of our work. The use of our products ensures your long-term and sustainable success. We therefore offer you comprehensive services including design and development right from the start. This makes us your competent partner in conveying & drive technology. Both the depth of advice and the quality of our products are tailored individually to your preferences and requirements.