

Industry solutions

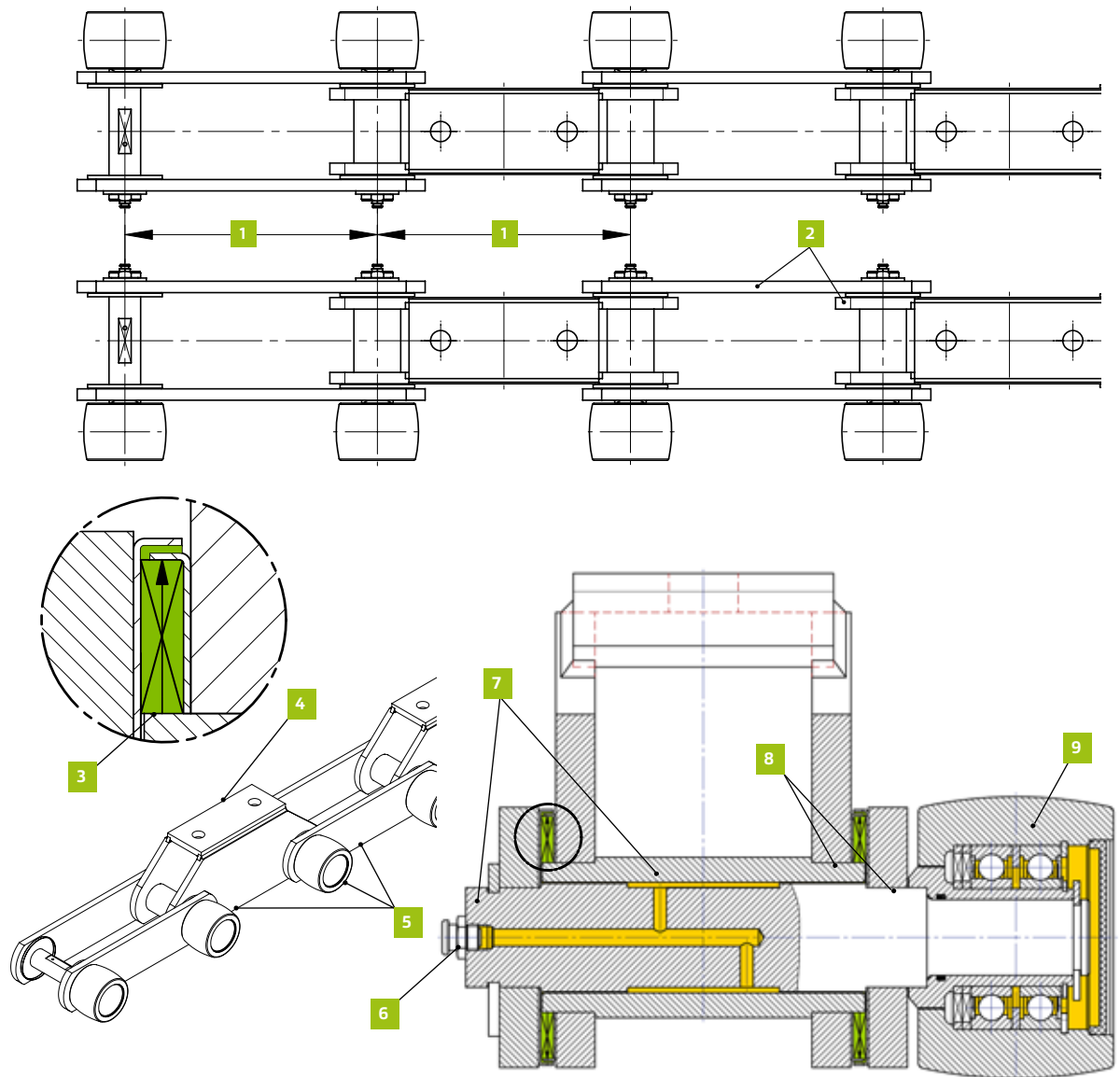


Low-Maintenance Reclaimer Chain and Sprocket with Noise Reduction Technology

Product Info Sheet



Low maintenance reclaimer chain



- 1 High precision pitch accuracy to optimise the parallelism of two chain strands
- 2 Chain links from heat treated special steel for optimised chain breaking strength
- 3 Sealed chain link (low maintenance)
- 4 Special chain links for scraper attachment in accordance with customer preferences
- 5 Mutually coordinated geometries of individual components taking into account the expected tensile loads

- 6 With grease channel and reservoir through pin to bearing area
- 7 KettenWulf quality steels with special heat treatment for highest wear resistance
- 8 Exactly defined press fits for high breaking strength and maximum fatigue strength
- 9 Permanently lubricated rollers (maintenance-free)



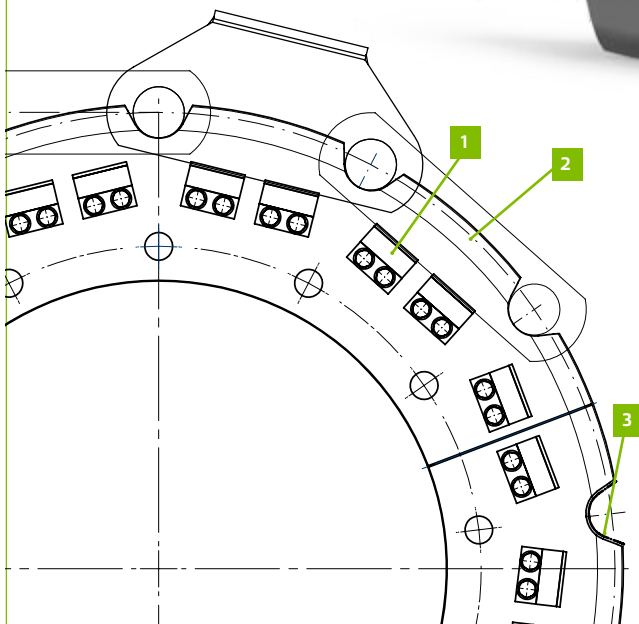
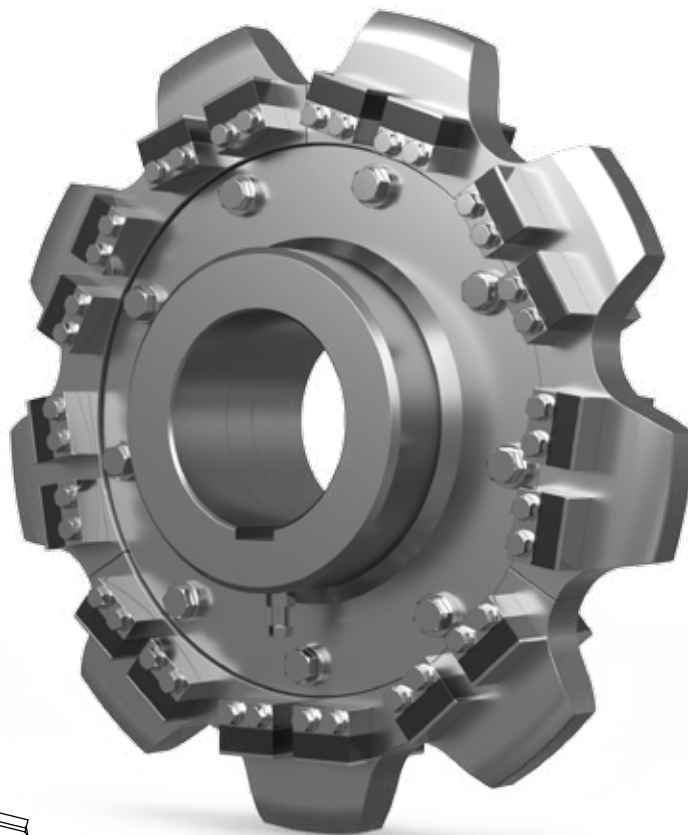
Our low-maintenance scraper chains are also available with the new Click-On Mounting System. For more information please contact us or visit our website.

Noise Reduction Technology

During the operation of plant in the bulk material handling industry annoying noise can often arise when the chain enters the sprocket. To reduce this operational noise and improve the working conditions, KettenWulf has developed a special Noise Reduction Technology coping with the demands and ambient conditions of this industry.

The Noise Reduction Technology developed by KettenWulf ensures that the chain links no longer knock against the gaps in the sprocket but are guided into the tooth gap in defined manner. The infeed noise of the chain is greatly reduced.

Sprocket with Noise Reduction Technology



- 1 KettenWulf Noise Reduction Technology
- 2 Sprocket in divided design, prepared for assembly on an individual hub flange body
- 3 Optimised tooth gap geometry in accordance with KettenWulf standard, inductively hardened for high wear resistance (chain - sprocket)

Contacts worldwide

KettenWulf Betriebs GmbH

Zum Hohenstein 15
D-59889 Eslohe-Kückelheim
Germany
T + 49.(0) 2973.801 0
F + 49.(0) 2973.801 228
service@kettenwulf.com

KettenWulf, Inc.

322 Thornton Road
Suite 101
Lithia Springs, GA 30122
United States of America
T +1.(0) 678.433 02 10
F +1.(0) 678.433 02 15
usa@kettenwulf.com

KettenWulf Betriebs GmbH

Liaison Office Turkey
Varyap Meridian Grand Tower
A-Block No: 58
34746 Atasehir - Istanbul
Turkey
T +90.(0) 216.510 47 94
F +90.(0) 216.510 47 94
turkey@kettenwulf.com

KettenWulf Canada Inc.

480 University Avenue
Suite 1500
Toronto, ON M5G 1V2
Canada
T +1.(0) 416.598 7072
canada@kettenwulf.com

KettenWulf GmbH

Division Ferlacher Förderketten
A-9163 Unterbergen 25
Austria
T + 43.(0) 4227.25 27
F + 43.(0) 4227.35 94
austria@kettenwulf.com

KettenWulf

Representative Office Poland
ul. Ogrodowa 34 B\ 4
PL-65-001 Zielona Góra
Poland
T + 48.(0) 68.325 43 37
F + 48.(0) 68.325 43 37
poland@kettenwulf.com

KettenWulf Pty Ltd

Level 6, 8 Spring Street
Sydney NSW 2000
Australia
T +61.(0)2 8296 0498
F +61.(0)2 8296 0411
australia@kettenwulf.com

Hangzhou Wulf Chain Co. Ltd.

40 Tangning Road, Yunhe Town
Yuhang District
311102 Hangzhou
P.R. of China
T + 86.(0) 571.861 899 00
F + 86.(0) 571.861 899 50
china@kettenwulf.com

KettenWulf Betriebs GmbH

A-104, Samarth Carina,
Near Aditya Birla Hospital,
Thergaon
Pune-411033
India
M + 91.(0) 98.905 031 64
india@kettenwulf.com

KettenWulf NV

Venecoweg 22A
De Prijckels E17
B-9810 Nazareth
Belgium
T + 32.(0) 9.243 73 80
F + 32.(0) 9.221 56 03
belgium@kettenwulf.com