



Low-Maintenance Reclaimer Chain and Sprocket with Noise Absorption System

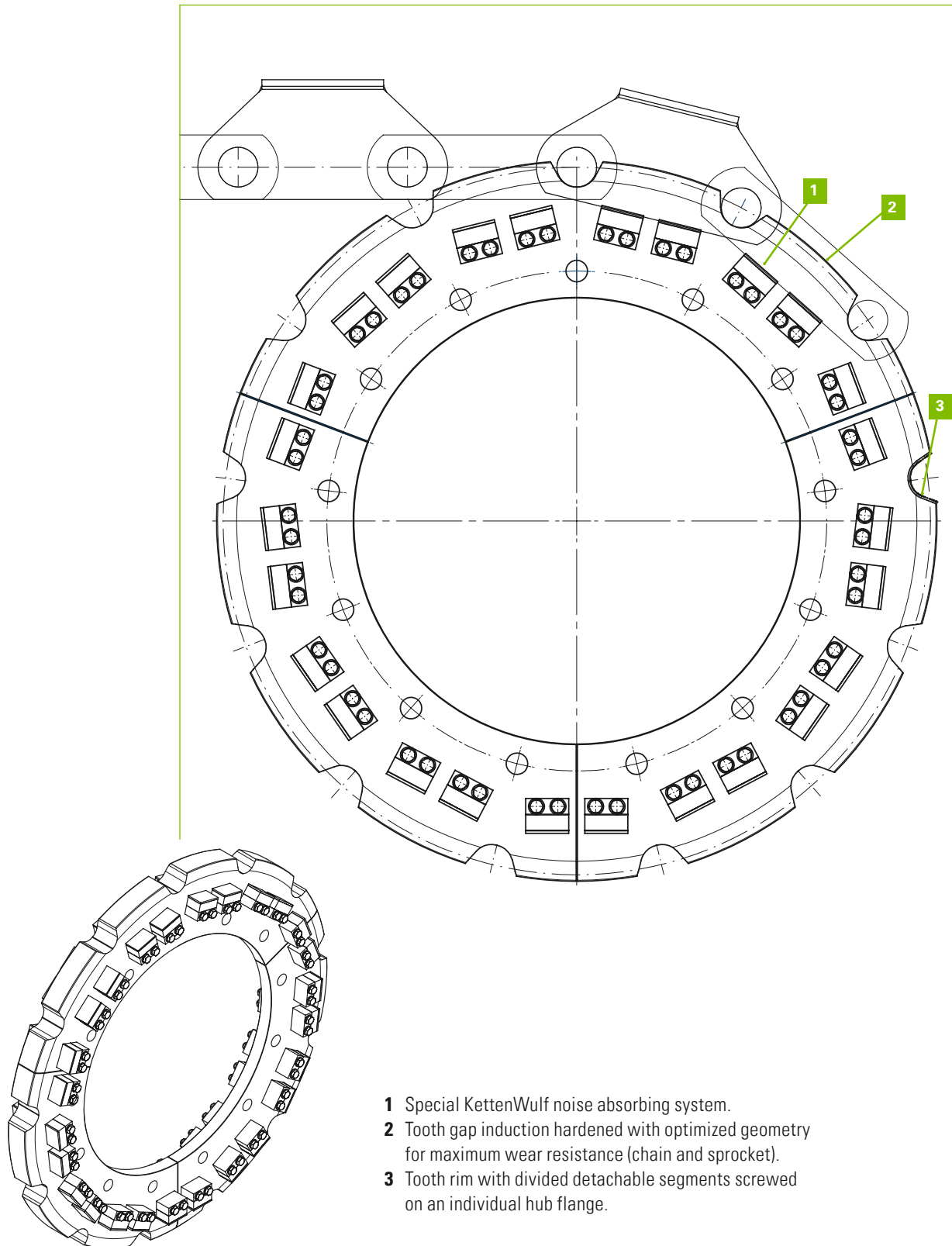


Industry Solutions

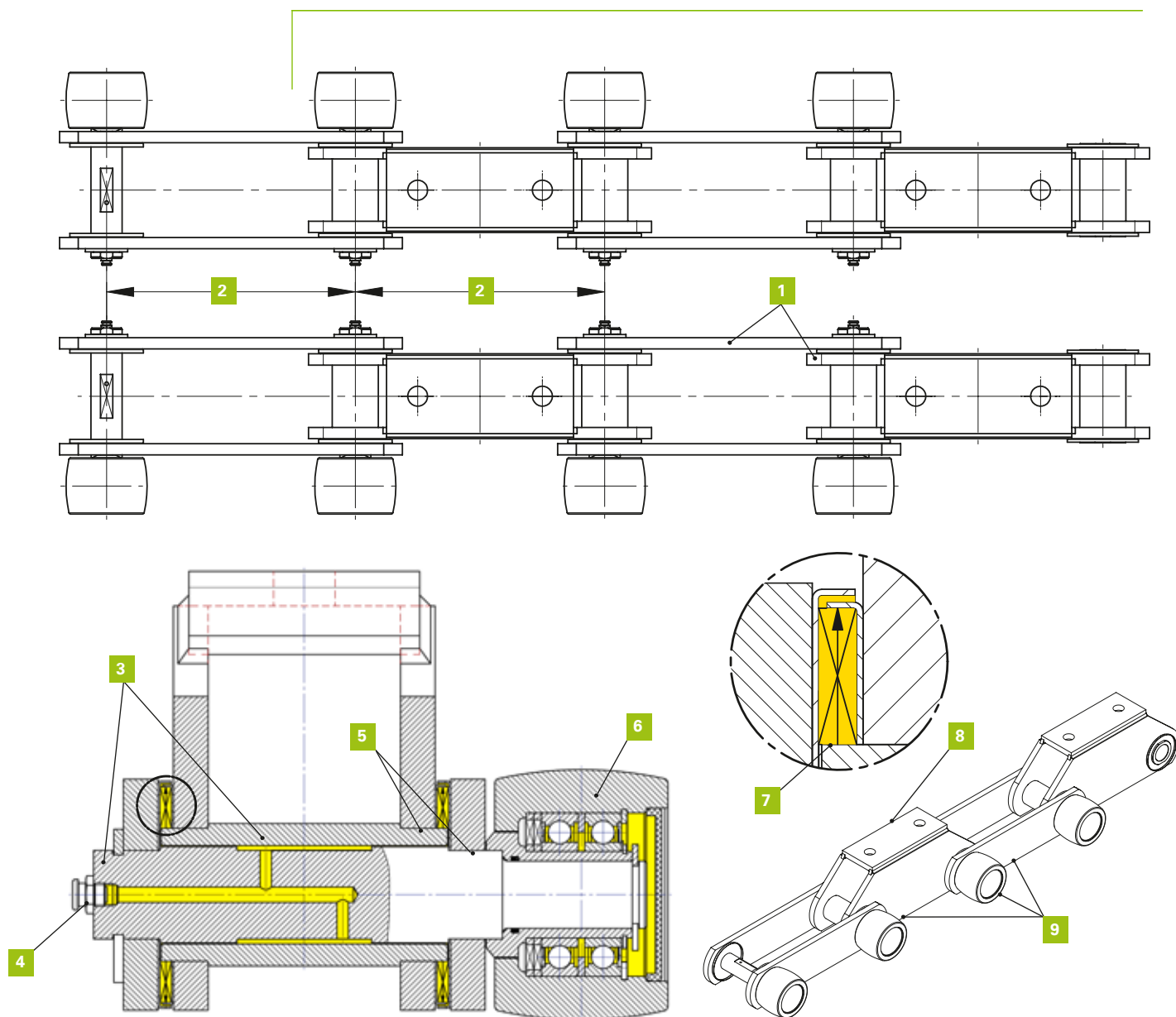


Product Info Sheet

Tooth Rim with Noise Absorption



Low-Maintenance Reclaimer Chain



- 1** Link plates made of special steel, heat treated for maximum breaking load.
- 2** Maximum dimensional accuracy of chain pitch, for high-precise length accuracy between two chain strands.
- 3** High-quality steel with special heat treatment for maximum wear resistance.
- 4** Grease nipple.

- 5** Exactly defined, high press fit produced for extreme chain load and maximum fatigue strength.
- 6** Lifetime lubricated roller (maintenance-free).
- 7** Sealed chain joint (low-maintenance).
- 8** Special attachments for scraper assembly.
- 9** Homogeneously engineered geometry of the individual chain components, fine-tuned to breaking and working load.

Contacts worldwide

KettenWulf Betriebs GmbH

Zum Hohenstein 15
D-59889 Eslohe-Kückelheim
Deutschland
T + 49.(0) 2973.801 0
F + 49.(0) 2973.801 228
service@kettenwulf.com

KettenWulf, Inc.

The Woodlands at Riverside
8110 Troon Circle SW, Suite 170
Austell, GA 30168-7852
USA
T +1.(0) 678.433 02 10
F +1.(0) 678.433 02 15
usa@kettenwulf.com

KettenWulf Betriebs GmbH

Liaison Office Turkey
Varyap Meridian Grand
Tower A-Block No: 58
34746 Atasehir - Istanbul
Turkey
T +90.(0) 216.510 47 94
F +90.(0) 216.510 47 94
turkey@kettenwulf.com

KettenWulf GmbH

Division Ferlacher Förderketten
A-9163 Unterbergen 25
Österreich
T + 43.(0) 4227.25 27
F + 43.(0) 4227.35 94
austria@kettenwulf.com

KettenWulf

Representative Office Poland
ul. Ogrodowa 34 B\4
PL-65-001 Zielona Góra
Polen
T + 48.(0) 68.325 43 37
F + 48.(0) 68.325 43 37
poland@kettenwulf.com

Hangzhou Wulf Chain Co. Ltd.

40 Tangning Road, Yunhe Town
Yuhang District
311102 Hangzhou
P.R. China
T + 86.(0) 571.861 899 00
F + 86.(0) 571.861 899 50
china@kettenwulf.com

KettenWulf Betriebs GmbH

A-104, Samarth Carina,
Near Aditya Birla Hospital,
Thergaon
Pune-411033
Indien
M + 91.(0) 98.905 031 64
india@kettenwulf.com